

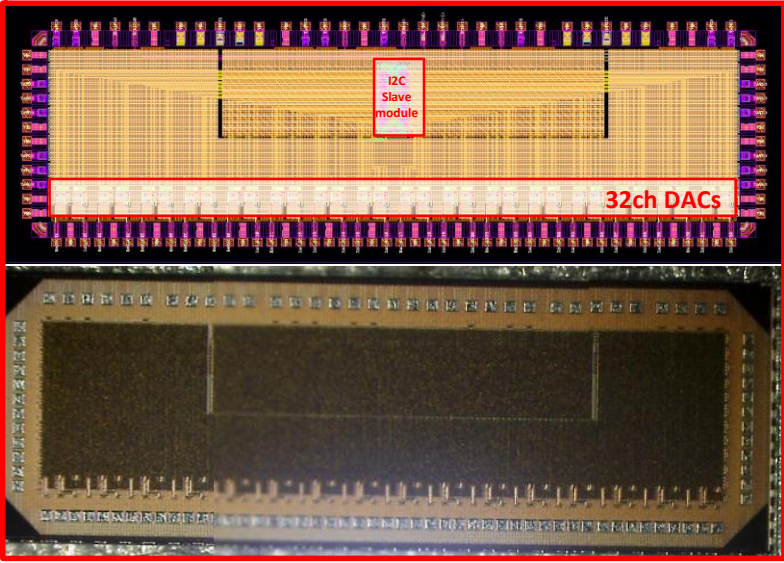
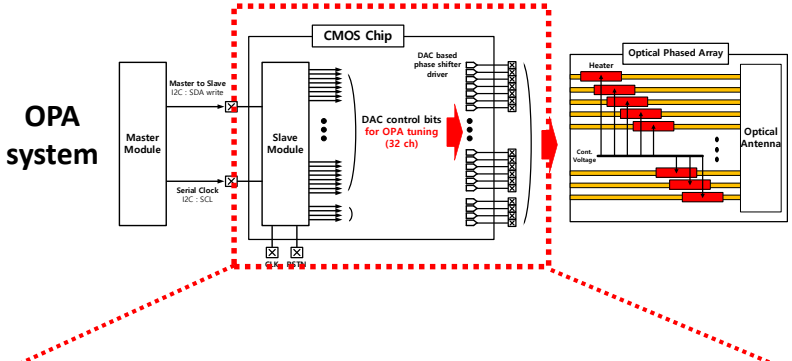
# **2024 Winter Workshop**

**Kihun Kim**

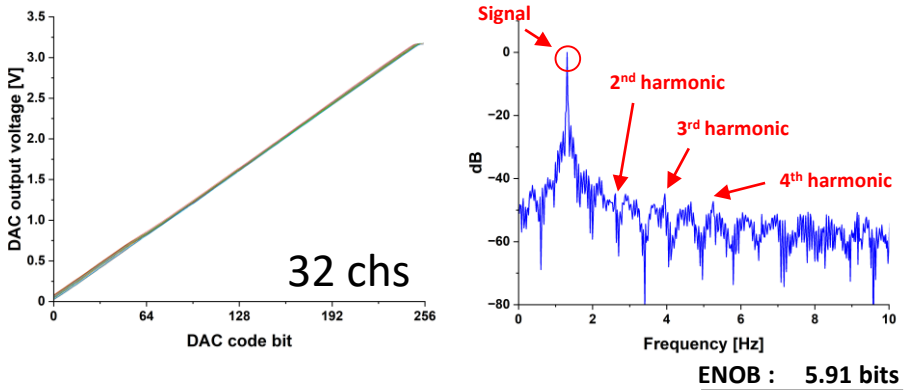


# OPA Driver IC

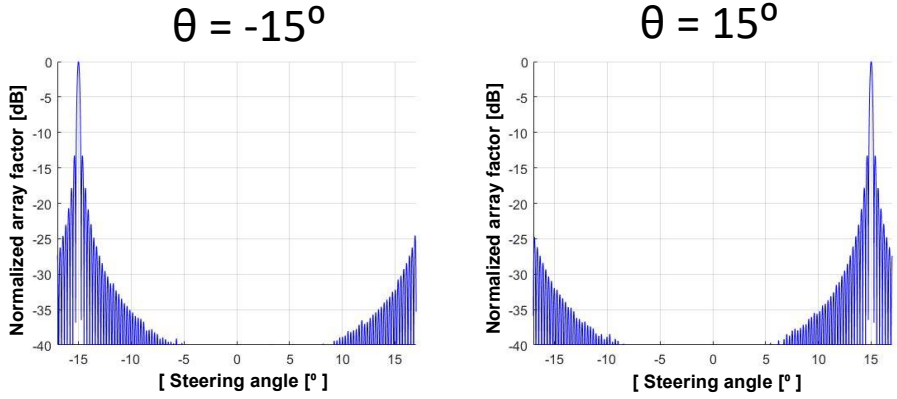
## OPA Driver IC



## DAC Measurement

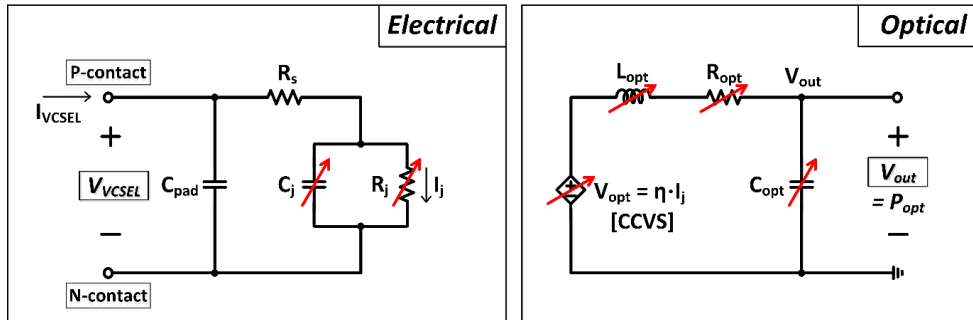


## Beamforming simulation

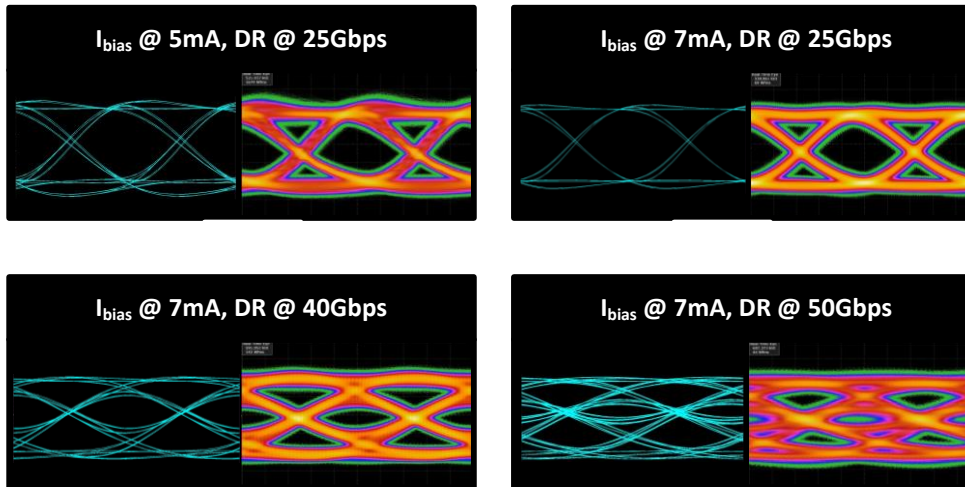


# VCSEL SPICE Model

## Equivalent circuit model

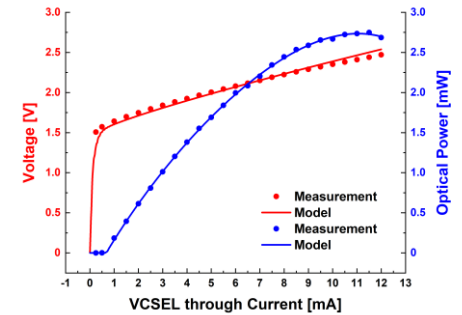


## Large-signal verification

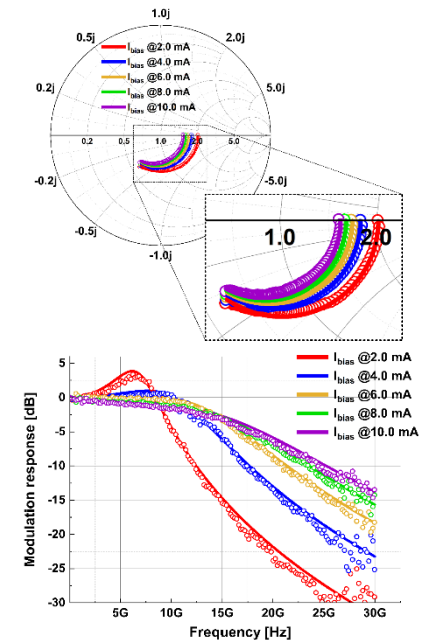


## Model fitting

LIV curve



S-parameter



# 2024-1~ Plan

---

## ➤ Design

- TSMC 180nm
  - OPA driver IC revision(2024.6)
- SEC 28nm
  - OTx(TBD)